

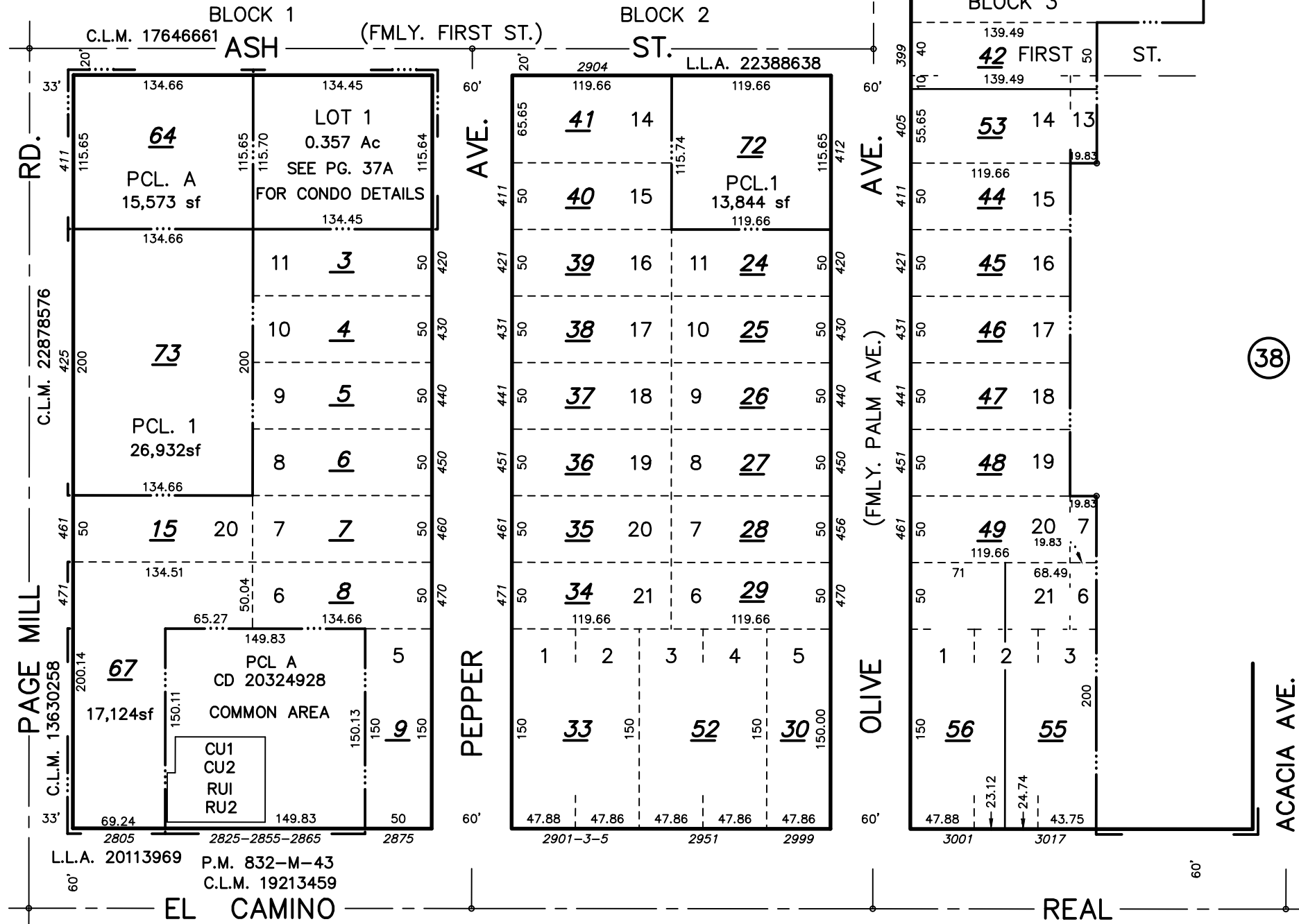
(32)

SUNNYSIDE ADDITION

TRACT No. 6591
447-M-49

TRACT No. 6591
PEPPER CONDOMINIUMS

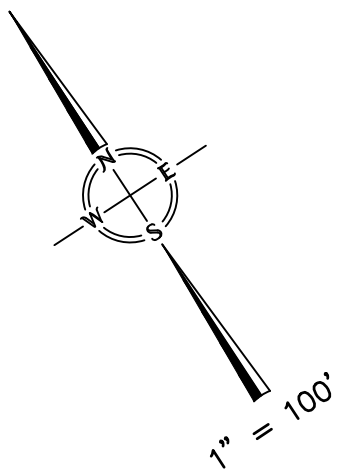
PEPPER AVENUE			
UNIT	FLR.	APN	SITUS
1	1	<u>58</u>	400
2	1	<u>59</u>	412
3	1, 2	<u>60</u>	408
4	1, 2	<u>61</u>	406
5	1, 2	<u>62</u>	404
6	1, 2	<u>63</u>	402



(36)

P.M. 832-M-43 CD. 20324928			
2825 EL CAMINO REAL			
UNIT	FLR.	APN	SITUS
CU1	1	<u>68</u>	100,150
CU2	2	<u>69</u>	200,250
RUI	3	<u>70</u>	350
RU2	3	<u>71</u>	300

(38)



142
20

TRACT No. 6591
PEPPER CONDOMINIUMS

(32)

